

# Transport Planning

Nicola Hill

Arup

North East and Scotland



ARUP

# What is Transport Planning?

- .....Transport Planning involves preparing, assessing and implementing plans, policies and projects to improve the transport network



- Considers all modes.....walking, cycling, car, public transport

Transport Modelling  
Data Collection Policy  
Economic Assessment  
Public Consultation Highway Design  
Travel Planning  
Transport Assessment

- Takes place on a local, regional, national and international level
- Transport Planning is linked to the future shape of our road networks, towns and cities, the economy, environment, climate change.....

# About me



- Senior Transport Planner at Arup since 2007
  - Joined JMP as Assistant Transport Planner in 2003
- Geography degree from University of Leeds (MGEOG)
- Post graduate certificate in GIS from Kingston University
- CIHT North East and Cumbria Committee Member
- Previous TPS Board Director / Secretary and NE Representative
- Transport Planning Professional (TPP) 2015

# Introduction to Arup

- Global provider of total design, engineering and business solutions
- > 12,000 planners, designers, engineers and consultants across 92 offices
- Newcastle office was opened in 1968 to undertake design work on the Freeman Hospital. It has since grown to employ over 200 staff in a wide range of disciplines.
- 10 transport planners



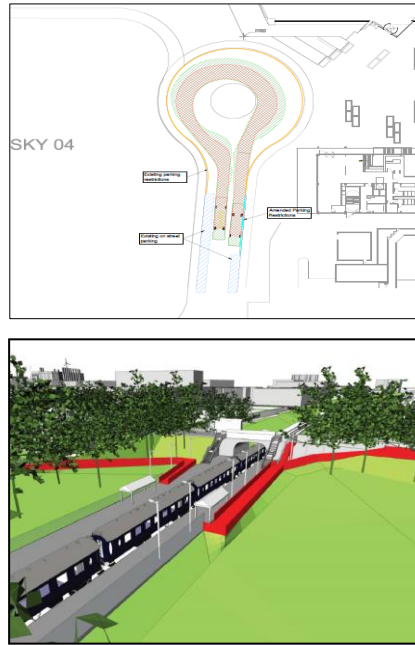
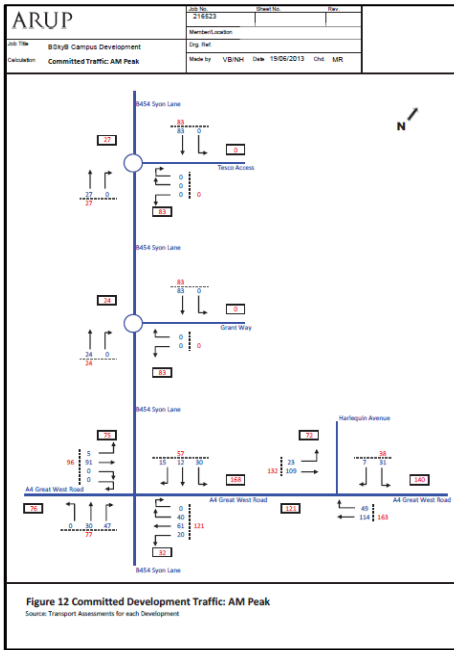
# Newcastle Office - Skills



- **Transport Planning**
- Civil and Structural Engineering
- Mechanical Engineering
- Electrical
- IT Communications
- Lighting
- Facilities Management
- Environmental Planning
- Sustainability Consulting
- Highways and Bridges
- Geotechnical and Contamination
- Water
- Rail
- Town Planning / Masterplanning
- Graphic Design



# Newcastle Transport Planning – Current Projects



# Key Client Sectors / Areas of Expertise



Local Authorities / Passenger Transport Executives / Local Enterprise Partnerships

Highways England

Network Rail / Crossrail / HS2

Public Transport Operators

Airports (e.g. Glasgow, Newcastle)

Energy projects (wind farms. solar farms – various clients)

Masterplan developments (town centre regeneration / residential led / Universities)

Residential development

Events, Retail and Leisure (Exhibition, Concert Venues, Retail and Leisure Centres)

Hospital / Healthcare Developments

# My recent projects

## **Development Management Secondment**

- Agree scope (TA / TS / Modelling / RSA / Highways England)
- Consultation
- Review assessments / transport modelling / agree mitigation
- Awareness of policy
- Present findings / attend committee meeting
- Training others

## **Car Parking**

- MSCP Feasibility
- New Infrastructure Business Case
- Borough wide review



# Career Progression

- **Continuing Professional Development**

- Membership of Professional Institutions
  - CIHT / TPS / RTPI TPN
- Bursary / Papers Evening
- Attending Events



- **Structured Graduate Training Scheme**

- TPS Professional Development Scheme
- Mentor



**RTPI**

mediation of space · making of place

- **Chartership**

- CEng / TPP

**Transport Planning Society**

- Make sure you're a member of an appropriate Institution
- Know (or have an idea of) what you want to do
- Target the companies that appear the best fit for you
- Don't be afraid to ask questions
- Get as much work experience as you can (summer placements)
- Focus on continuous improvement and development
- Make the most of your opportunities

# Transport Planning

Nicola Hill  
Arup



ARUP